

DATA SHEET

AQD 500TF QUICK DISCONNECTS With FKM O-Rings

Description:

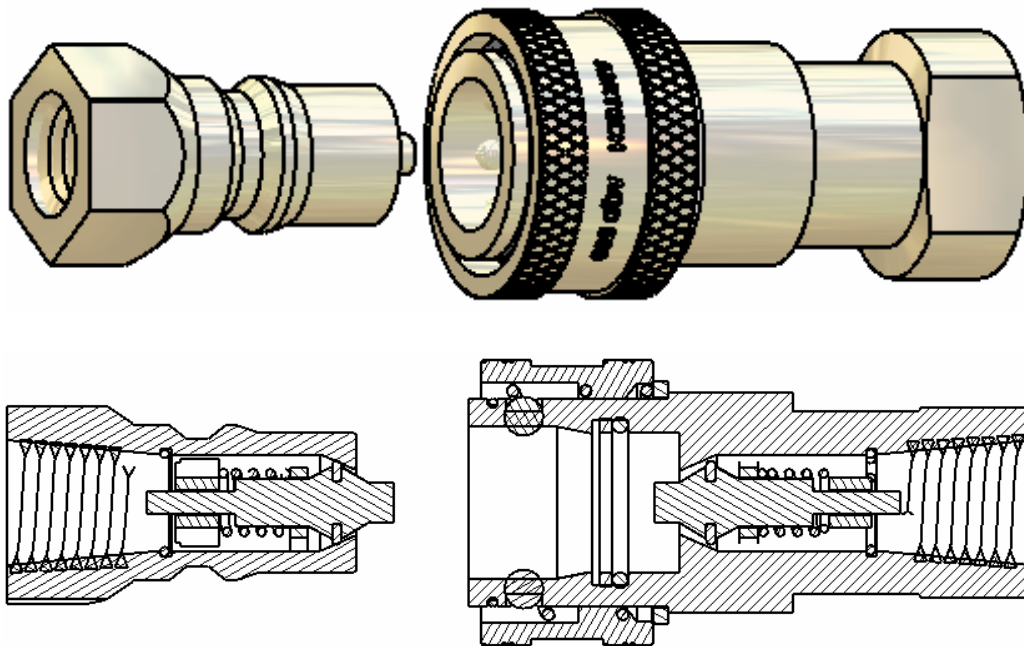
The **AQD 500TF** quick disconnect is made of high carbon steel that has been plated to slow oxidation. Each end has high temperature FKM O-rings that withstand use up to 500°F (260°C). Use the **AQD 500BF** (barbed fitting) when attaching directly to rubber vacuum lines.

Application:

The **AQD 500TF** quick disconnect has two way shut-off fittings. When they are disconnected, the air flow is shut off in both the plug and the socket. This allows your vac valves to remain under vacuum pressure after the vacuum source has been disconnected. Parts can then be moved from the bagging area to the curing area without loss of vacuum. The **AQD 500TF** is a rugged, dependable disconnect that can be installed in minutes when used with Airtech Vac Valves. The **AQD 500TF** comes with a threaded female fitting designed to receive our Airflow autoclave and oven hoses.

Standard Size: ¼ in. female NPT. Other sizes available upon request.

Note: Items typically sold as a set (male & female). Male and female halves can be ordered separately upon request.



CATALOG POSITION: VAC VALVES AND HOSES

As the conditions or methods of use are beyond our control, Airtech International, Inc. does not assume any responsibility for the performance of this material for any particular use. The material is sold "as is". Airtech International, Inc. disclaims, and buyer waives, any and all implied warranties, including without limitation the implied warranties of merchantability and of fitness for particular use. The information contained herein represents typical properties and should not be used for specification purposes.

MORE THAN A MANUFACTURER...A TECHNICAL PARTNER!

